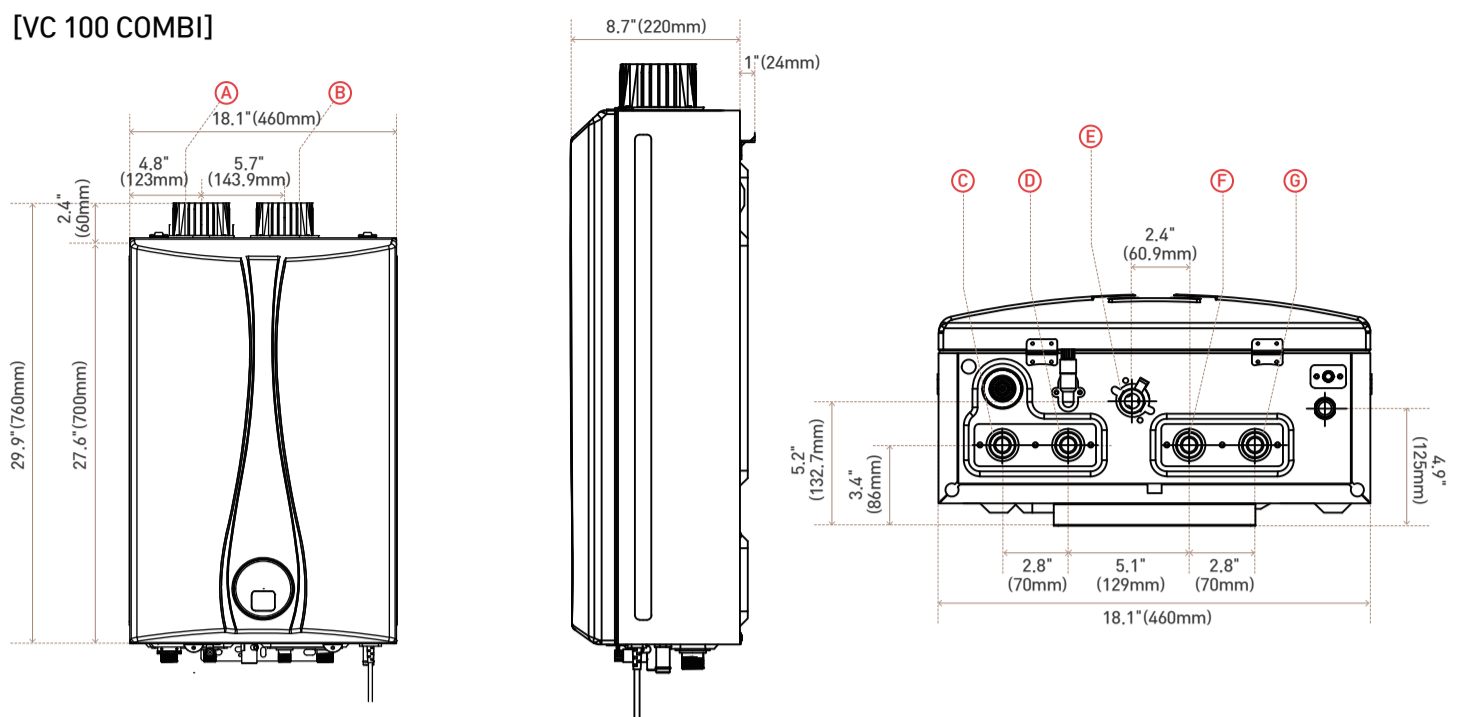


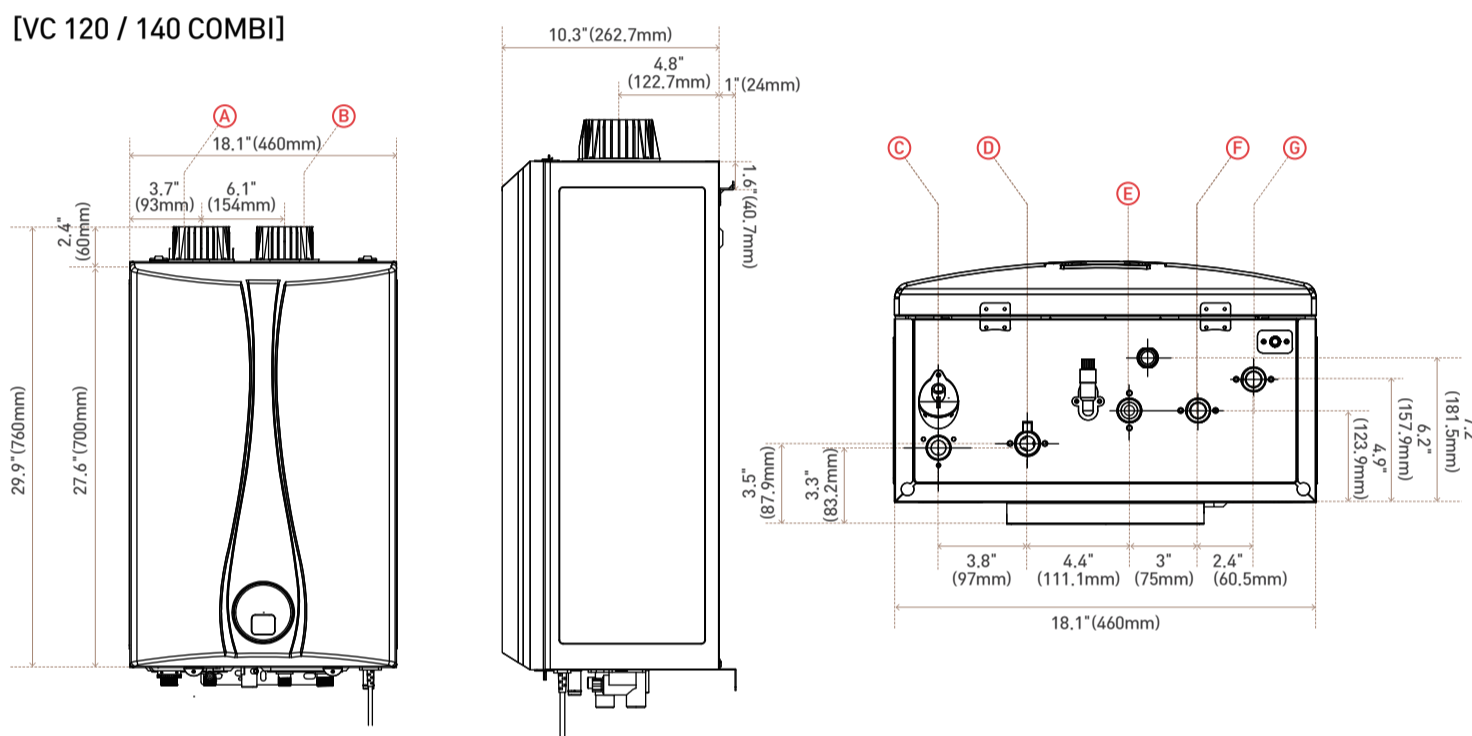
Dimensions

[VC 100 COMBI]



	A	B	C	D	E	F	G
Description	Intake	Exhaust	CH return	Cold water inlet	Gas inlet	Hot water outlet	CH supply
Diameter	3"	3"	3/4"	3/4"	3/4"	3/4"	3/4"

[VC 120 / 140 COMBI]



	A	B	C	D	E	F	G
Description	Intake	Exhaust	CH return	Gas inlet	Cold water inlet	Hot water outlet	CH supply
Diameter	3"	3"	3/4"	3/4"	3/4"	3/4"	3/4"

VESTA Combination Boiler Space Heating Ratings

MODEL	Heating Input, MBH		Heating Capacity, MBH	AFUE	Water Pressure	Water Connection Size (Supply, Return)
	Min	Max				
VC 100 COMBI	22	100	91	92%	12-30 psi	3/4" NPT
VC 120 COMBI	30	120	109	91%		
VC 140 COMBI	30	140	127	91%		

Rating are the same for Natural Gas models and Propane.

Specification Sheet

MODEL	VC 100 COMBI	VC 120 COMBI	VC 140 COMBI
Gas Input	Space Heating	22,000 - 100,000 BTU/H	30,000 - 120,000 BTU/H
	Domestic Hot Water	22,000 - 130,000 BTU/H	30,000 - 180,000 BTU/H
Flow Rate (DHW)	45 °F (25 °C) Temp Rise	5.1 GPM (19.2 LPM)	7.0 GPM (26.6 LPM)
	70 °F (38 °C) Temp Rise	3.3 GPM (12.6 LPM)	4.5 GPM (17.5 LPM)
			4.8 GPM (18.5 LPM)
Dimension (W x H x D)		18.1" x 27.6" x 8.7" (460mm x 700mm x 220mm)	18.1" x 27.6" x 10.3" (460 mm x 700 mm x 260 mm)
Weight		60 lbs (27 kg)	72 lbs (32 kg)
Installation			Indoor wall-hung
Venting Type			Forced draft direct vent
Ignition			Electronic ignition
Water Pressure (Hydronic / DHW)			12 ~ 30 psi / 15 ~ 150 psi
Supply Pressure	Nature Gas		3.5" ~ 10.5" WC
	Propane		8" ~ 13" WC
Manifold Pressure	Nature Gas (Min.-Max.)	0.8" WC ~ 3.8" WC	0.8" WC ~ 4.0" WC
	Propane (Min.-Max.)	1.2" WC ~ 5.1" WC	1.3" WC ~ 5.0" WC
Minimum Flow Rate (DHW)			0.5 GPM (1.9 LPM)
Temperature Range	Space Heating		120 °F ~ 180 °F (50 °C ~ 80 °C)
	DHW		98°F ~ 140°F (37°C ~ 60°C)
Connection Sizes	CH Supply / Return		3/4" NPT
	Cold water inlet		3/4" NPT
	Hot water outlet		3/4" NPT
	Gas inlet		3/4" NPT
Power Supply	Main supply		120 V AC, 60 Hz / use less than 5 amp
	Maximum Power Consumption	145 W	190 W
Materials	Primary Heat Exchanger		Copper plate fin-tube type
	Secondary Heat Exchanger		Aluminum Hi-fin Covers the copper pipe
Venting	Exhaust		3" PVC, CPVC
	Intake		3" Special gas vent type BH (Class II, A/B)
	Vent Clearances		3" PVC, CPVC
	Length		3" Special gas vent type BH (Class II, A/B)
Safety devices		Flame rod, APS, Temperature sensor, Condensate water level sensor, Temperature limit device, Low water cut off switch	