

VESTA HYBRID WATER HEATER

User Manual



Model
| VH-150
| VH-199

Keep this manual near the water heater for future reference whenever maintenance or service is required.



⚠ Danger Water heater for other than recreational vehicle installation only

READ ALL OF THE INSTRUCTIONS THOROUGHLY BEFORE OPERATING THIS WATER HEATER.

This manual provides information on the installation, operation, and maintenance of the water heater. For proper operation and safety, it is important to follow the instructions and adhere to the safety precautions.

A licensed professional must install the water heater according to the exact instructions of the manual.

⚠ Warning If the information in these instructions is not followed exactly, fire or explosion may result causing property damage, personal injury, or death.

- Do not store or use gasoline or other flammable vapors and liquids in the vicinity of this or any other appliance.
- What to do if you smell gas
 - Do not try to light any appliance.
 - Do not touch any electrical switch; do not use any phone in your building.
 - Immediately call your gas supplier from a neighbor's phone. Follow the gas supplier's instructions.
 - If you cannot reach your gas supplier, call the fire department.
- Installation and service must be performed by a licensed professional.

Safety Information

The following safety symbols are used in this manual for user's safety. Read this manual carefully and follow all instructions to avoid property damage, fire, explosion, personal injury, or death.



Danger

Indicates an imminently hazardous situation which, if not avoided, will result in severe injury or death.



Warning

Indicates a potentially hazardous situation which, if not avoided, will result in injury or death.



Caution

Indicates a potentially hazardous situation which, if not avoided, could result in property damage.



Danger

If you smell gas:

- Do not try to light any appliance.
- Do not touch any electrical switches or use landline phones.
- From a neighbor's phone, call your gas provider and follow their instructions.
- If you cannot reach your gas provider, call the fire department.

Do not use or store flammable products, such as gasoline, solvents, or adhesives in the same room or area as the water heater.

- Vapors from flammable liquids can explode and/or catch fire causing death or severe burns.
- Keep flammable products far away from the water heater and store them in approved containers. Keep the containers tightly closed and out of the reach of children.
- The Water heater has a main burner flame that can come on at any time and will ignite flammable vapors.
- Vapors cannot be seen and are heavier than air. Vapors travel a long way on the floor and can be carried from other rooms to the main burner flame by air currents.

Avoid using hot water over 125°F.

- Water temperature over 125°F can cause severe burns or death from scalding.
- Children, the disabled and the elderly are at highest risk of being scalding.
- Test water before bathing or showering.

Temperature	Time to Produce Serious Burn	Temperature	Time to Produce Serious Burn
120 °F (48 °C)	More than 5 minutes	140 °F (60 °C)	Less than 5 seconds
125 °F (51 °C)	1.5 to 2 minutes	145 °F (62 °C)	Less than 3 seconds
130 °F (54 °C)	Approx. 30 seconds	150 °F (65 °C)	Approx. 1.5 seconds
135 °F (57 °C)	Approx. 10 seconds	155 °F (68 °C)	Approx. 1 second



Warning

- **Do not store combustibles, such as papers or laundry, near the water heater or venting system.**
Failure to do so may result in fire or explosion.
- **Do not store or use gasoline or other flammable liquids near this water heater.**
Failure to do so may result in fire or explosion.
- **Do not store or use compressed gases, such as hair sprays or spray paints, near the water heater or venting system, including the vent termination.**
Failure to do so may result in fire or explosion.
- **Do not remove the front cover unless the power to the water heater is turned off or disconnected.**
Failure to do so may result in electric shock.
- **Do not touch the internal components of the water heater or the power cord with wet hands.**
Failure to do so may result in electric shock.
- **Do not operate the water heater with the front cover opened.**
Failure to do so may result in fire or carbon monoxide (CO) poisoning, which may result in property damage, personal injury, or death.
- **Do not operate the water heater without proper venting.**
Failure to do so may result in fire or carbon monoxide (CO) poisoning, which may result in property damage, personal injury, or death.
- **Shut off the gas supply if the water heater is damaged.**
Have your installer or plumber show you the location of the gas shut off valve and demonstrate how to close the valve. If the water heater is damaged as a result of overheating, fire, flood, or any other reason, close the manual shut off valve and do not operate the water heater again until it has been inspected by a qualified technician.
- **Should overheating occur or if the gas supply fails to shut off, turn off the manual gas shut off valve.**



Caution

- **Do not use the water heater for anything other than its intended purpose, as described in this manual.**
Failure to do so may result in property damage, personal injury, or death.
- **Do not turn on the water heater unless the water and gas supplies are fully opened.**
Failure to do so may damage the water heater.
- **Do not use unapproved replacement or accessory parts.**
Failure to do so may result in improper or dangerous operation and will void the manufacturer's warranty.
- **When servicing the controls, label all wires prior to disconnecting them.**
Failure to do so may result in wiring errors,
- **Do not place anything in or around the vent terminals that could obstruct the air flow in or out of the water heater.**
Failure to do so may result in fire or carbon monoxide (CO) poisoning, which may result in property damage, personal injury, or death.
- **Do not attempt to repair or replace any part of the water heater, unless it is specifically recommended in this manual.**
For all other service, contact an authorized technician or licensed professional. Improper adjustments, alterations, service, or maintenance may lead to property damage, personal injury, or death and will void your warranty.
- **Do not operate the water heater if you suspect something might be wrong with it.**
Doing so may result in product damage or personal injury.
- **Do not allow children to operate or have access to the water heater.**
Doing so may result in product damage or personal injury.
- **Do not turn on the water heater unless the water and gas supplies are fully opened.**
Doing so may damage the water heater.
- **Do not use this appliance if any part has been immersed in water.**
Immediately call a qualified service technician to inspect the appliance and replace any part of the control system and/or any gas control which has been immersed in water.
- **This water heater has been approved for use in the USA and Canada only.**
Using the water heater in any other country will void the manufacturer's warranty.

Table of Contents

Safety Information	2	Troubleshooting	10
Front Panel	5	Basic Problems	10
Digital Display and Icons	5	Error Codes	11
Buttons.....	5	Limited Warranty	12
Operating the Water Heater	6		
Turning the Water Heater On or Off	6		
Setting the Water Temperature.....	6		
Viewing Basic Information	6		
Maintaining the Water Heater	7		
Draining the Water Heater	7		
Cleaning the Inlet Nipple Filter	8		
Cleaning the Air Intake Filter	8		
Protecting the Water Heater from Freezing.....	9		
Maintenance Schedules.....	9		

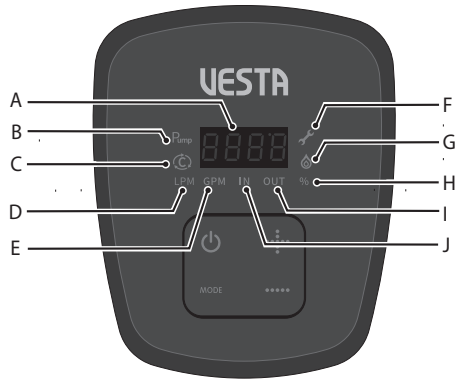
Front Panel



After installing the water heater, you must proceed to Self-adjusting Mode before using the water heater.

Digital Display and Icons

The digital display and icons on the front panel provide important information required for the operation of the water heater. Refer to the table below for detailed information.



	Icon	Description
A		Digital display Displays water temperature, error codes, etc.
B		Pump Indicates recirculation pump operation.
C		Cascade Indicates cascade operation.
D		Liter Per Minute Indicates flow rate of hot water supply in LPM.
E		Gallon Per Minute Indicates flow rate of hot water supply in GPM.
F		Error Indicates error.
G		Combustion Indicates gas burner operation.
H		Combustion load Indicates combustion load in percentage.
I		Out temperature Indicates temperature of hot water supply.
J		In temperature Indicates temperature of cold water inlet.

Buttons


Using the buttons on the front panel, you can turn the water heater on or off, adjust the water temperature, and change modes to monitor the operation status. Refer to the table below for detailed information.



	Button	Description
A		Power Turns the water heater on or off.
B		Mode Changes the mode.
C		UP Increases the temperature.
D		Down Decreases the temperature.

Operating the Water Heater

Turning the Water Heater On or Off

To turn the water heater on or off, press the  button.



When the water heater is on, the water temperature which has been set recently will appear on the digital display.

Setting the Water Temperature





Danger

If your household includes children, or elderly or disabled individuals, consider using a lower temperature setting.



Caution

Test the temperature of the water before use.

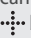
To set the water temperature, press the  (Up) or  (Down) buttons until the desired temperature appears on the digital display.



Temperature range

°F	98	100	102	104	106	108	110	112	114	116	118	120	130	140	150	160
°C	37	38	39	40	41	42	43	44	45	47	48	50	54	60	65	71

Notice

- Between 98°F (37°C) to 120°F (50°C), the temperature can be set in 2°F increments.
- Between 120°F (50°C) to 160°F (71°C), the temperature can be set in 10°F increments. To change the temperature, press the  button for 5 seconds.

Viewing Basic Information

To view information about the water heater, press the **MODE** button.



Notice

By pressing the **MODE** button repeatedly, different information will be viewed in the digital display.

Maintaining the Water Heater




Danger

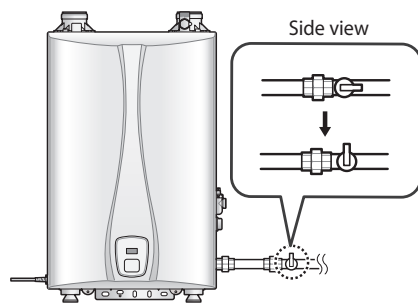
Before cleaning the water heater, make sure the water heater is turned off and the power supply is disconnected. The water heater may remain hot for few minutes after it is turned off. Wait until the water heater has cooled down before cleaning to prevent burns.

Draining the Water Heater

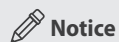
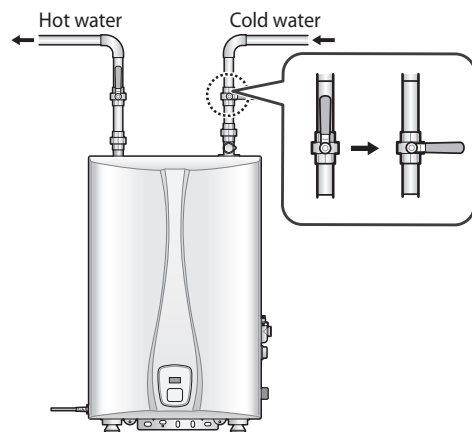
To perform maintenance tasks or to prevent the water heater from freezing when it will not be used for an extended period, the water heater must be drained.

To drain the water heater:

- 1 Press the  button to turn off the water heater.
- 2 Disconnect the power supply to the water heater.
- 3 Turn off the gas valve.



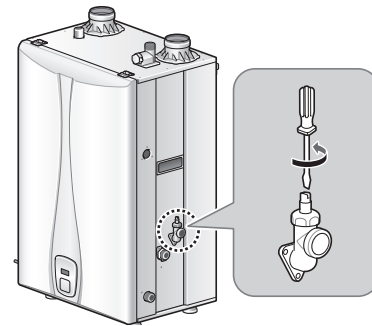
- 4 Turn off the water supply valve on the inlet to the water heater.



Notice

If there is no water supply valve, turn off the water supply at the water main.

- 5 Open all hot water faucets and drain the water remaining in the plumbing lines.
- 6 Place a bucket under the drain valve.
- 7 Open the drain valve and allow any residual water to drain from the water heater.



- 8 Close the drain valve when the water is completely drained.



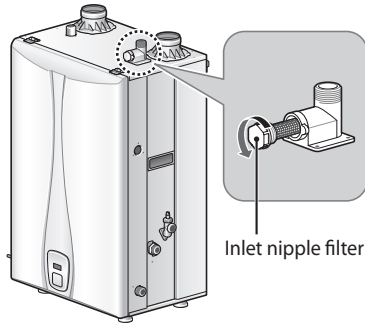
Notice

Follow the steps in reverse order to refill the water heater.

■ Cleaning the Inlet Nipple Filter

To clean the inlet nipple filter:

- 1 Drain the water heater. Refer to "Draining the Water Heater" on page 7.
- 2 Remove the inlet nipple filter from the top of the water heater.



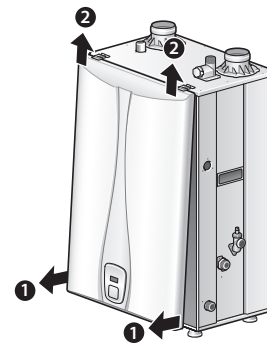
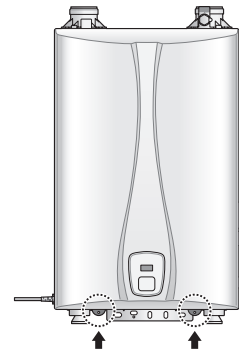
- 3 Rinse the inlet nipple filter with clean running water.
- 4 Reinsert the inlet nipple filter.
- 5 Refill the water heater. Refer to "Draining the Water Heater" on page 7.

■ Cleaning the Air Intake Filter

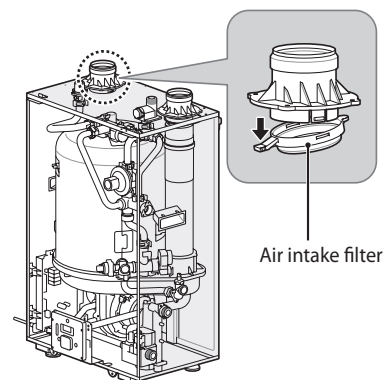
To maintain the water heater properly, clean the air intake filter every 2–3 months. If the air intake filter is clogged by dust or lint, the water heater will cease to operate or error can occur.

To clean the air intake filter:

- 1 Press the ⏻ button to turn off the water heater.
- 2 Disconnect the power supply to the water heater.
- 3 Remove the water heater front cover by loosening the 2 Phillips screws securing it to the case.



- 4 Remove the air intake filter located under the air intake connector.



- 5 Rinse the air intake filter with clean running water.
- 6 Dry the air intake filter completely.
- 7 Reinsert the air intake filter.
- 8 Replace the front cover.

■ Protecting the Water Heater from Freezing



Caution

- To protect the water heater from freezing, recommend the use of a direct vent exhaust and intake system. Ensure that the exhaust vent pipe and the air intake pipe are both connected directly from the collars on the top of the water heater to the outdoors. This type of vent system minimizes air movement within the water heater.
- Freezing damage usually occurs due to back-drafting caused by negative pressure in the building. This is not a manufacturing defect, and therefore, Vesta will not warrant any damage due to freezing. The installer is responsible for ensuring that there is sufficient make-up air to avoid such a situation, and the owner is responsible for ensuring protection against freezing.

To protect the water heater from freezing, follow these guidelines:

- If the water heater will not be used for an extended period of time, drain the water heater.
- Do not unplug the power supply cord, except for routine maintenance. The water heater has a freeze protection function that warms up the water heater when the temperature inside the water heater becomes lower than 43°F (6°C). The freeze protection function will operate regardless of whether or not the front panel is turned on or off, as long as the power supply is still connected.
- If the power or gas supply must be disconnected for an extended period, drain the water heater.
- Protect and insulate all water pipes, including the condensate trap drain line, from freezing.



Notice

If you suspect that the water heater is frozen, contact an authorized technician or licensed professional.

■ Maintenance Schedules



Caution

A qualified technician should inspect the water heater at the beginning of every heating season and/or when there is a problem.

● Owner maintenance

Daily

- Check that the area where the water heater is installed is free of combustible/flammable material and air-contaminants.
- Visually inspect the exterior of the water heater.

Monthly

- Inspect the condensate trap and the PVC fittings.
- Visually inspect the piping (water and gas) for leaks.
- Visually inspect the vent piping for signs of leakage and blockage.

Every 6 months

- Inspect the piping (water and gas) for leaks.
- Inspect the vent piping for leakage and blockage.
- Test to make sure the pressure relief valve is operating properly.

● Service technician maintenance

Periodically

- Inspect the interior of the water heater.
- Clean the condensate trap and fill with fresh water.
- Clean the air intake filter.
- Check for leaks (gas, water, flue, and condensate).
- Check the system pressure (gas, and water).
- Check ignition and flame rod.
- Check wiring connections.

Troubleshooting

Basic Problems

If there is a problem with the water heater, refer to the following table for possible remedies. For minor problems, turning the water heater off and then turning back on may resolve the situation. If turning the water heater off and on and attempting the remedies suggested below do not resolve the problem, contact an authorized technician, licensed professional, or technical support at 1-800-761-0053.

Category	Problem	Possible Cause(s)	What to Do
Initial operation	Water heater does not ignite when water is running.	<ul style="list-style-type: none"> Are the gas and water pipes connected properly? 	<ul style="list-style-type: none"> Check for correct plumbing or crossed piping to the unit. Check the water inlet filter for debris.
	Unit attempts to ignite but fails	<ul style="list-style-type: none"> Is there air in the gas line? Is the gas supply pressure sufficient? 	<ul style="list-style-type: none"> Turn off the water heater and then turn it back on. Have your installing contractor check the gas supply pressure. Ensure the water heater is powered by 120 V-1 PH-60 Hz.
Temperature	Hot water is not produced when a faucet is opened.	<ul style="list-style-type: none"> Are the gas and water supply valves fully open? Is the water supply cut off to the household? Is gas being provided by the gas meter? Is there enough gas (for LP) in the tank? Is the water inlet filter clogged? Is the power button turned on? 	<ul style="list-style-type: none"> Fully open the gas and water supply valves. Check the water inlet filter for debris. Check the power status of the water heater.
	No water is available when a faucet is opened.	<ul style="list-style-type: none"> Is the water supply cut off? Is the water heater frozen? Are the pipes frozen? 	<ul style="list-style-type: none"> Open the cold water supply. Check if the water heater and/or the pipes are frozen.
	The hot water is not at the correct temperature.	<ul style="list-style-type: none"> Is the hot water faucet sufficiently open? 	<ul style="list-style-type: none"> Fully open the hot water faucet.
	Water takes a long time to become hot after opening the hot water faucet.	<ul style="list-style-type: none"> Have you allowed enough time for the cold water in the pipes to drain out? 	<ul style="list-style-type: none"> Even though the unit may be operating properly, the cold water contained in the piping will need to flow through the faucet before the hot water can reach the faucet. Wait for several minutes.
	The water is too hot.	<ul style="list-style-type: none"> Are the gas and cold water supply valves fully open? Is the water temperature setting appropriate? 	<ul style="list-style-type: none"> If the cold water supply temperature is too high, it is possible for the temperature to be higher than the temperature set on the front panel. Decrease the water temperature on the front panel. If only a small amount of hot water is required, it is possible for the temperature to be higher than the temperature set on the front panel. Decrease the water temperature on the front panel. If the cold water supply passes through a solar pre-heating system, it passes for the delivered water temperature to be higher than the temperature set on the front panel.
	The water is not hot enough.	<ul style="list-style-type: none"> Are the gas and cold water supply valves fully open? Is the water temperature setting correct? 	<ul style="list-style-type: none"> Fully open the gas and cold water supply valves. Check the water temperature setting.
	Fluctuation in hot water temperature.	<ul style="list-style-type: none"> Is the water inlet filter clogged? 	<ul style="list-style-type: none"> Clean the water inlet filter for debris.

Error Codes

If an error code appears on the digital display, refer to the following chart for the reason, and a possible remedy for the situation.

Error Code	Cause	Self-diagnosis/Action
A0	Abnormal operation: flow control valve	Contact technical support.
A1	Abnormal operation: by-pass valve	Contact technical support.
A2	Abnormal operation: fan	<ul style="list-style-type: none"> • Clean the intake air filter. • Check the fan connector. • Contact technical support.
A3	Abnormal operation: data communication	Contact technical support.
A4	Overheating of heat exchanger	<ul style="list-style-type: none"> • Turn off the system for at least 30 minutes, and then restart it. • Contact technical support.
A5	Overheating	<ul style="list-style-type: none"> • Turn off the system for at least 30 minutes, and then restart it. • Contact technical support.
A6	Ignition error	<ul style="list-style-type: none"> • Ensure that the main gas supply valve is open. • Contact technical support.
A7	Abnormal operation: gas valve relay	<ul style="list-style-type: none"> • Turn off the main gas valve. • Contact technical support.
A8	Abnormal operation: gas valve	<ul style="list-style-type: none"> • Turn off the main gas valve. • Contact technical support.
A9	Exhaust temperature overheating	Contact technical support.
AA	Abnormal operation: inlet water sensor	Contact technical support.
AB	Abnormal operation: heat exchanger temperature sensor	Contact technical support.
AC	Abnormal operation: hot water temperature sensor	Contact technical support.
AD	Clog of condensate trap or no water in condensate trap	<ul style="list-style-type: none"> • Fill the condensate trap. • Contact technical support.
AE	Blockage of flue Pipe	<ul style="list-style-type: none"> • Clean the vent terminal. • Contact technical support.
AF	Low Water Cut Off Switch error	<ul style="list-style-type: none"> • Check the cold water supply. • Contact technical support

If any of these remedies does not resolve the problem, contact technical support at 1-800-761-0053.

Limited Warranty

VESTA CORPORATION

Limited Warranty for condensing hybrid water heater Vesta CUBE Hybrid VH150 and VH199

FOR WARRANTY SERVICE OR REPAIR:

Contact the installer or a VESTA dealer. You may be able to find the installer's name on the equipment or in your Owner's Packet. You can also find a VESTA dealer online at www.vestahws.com.

For help, contact: VESTA Corporation, Consumer Relations, P.O. Box

VESTA Corporation (hereinafter "Company") warrants this product against failure due to defect in materials or workmanship when the product is installed and operated according to VESTA written installation instructions, subject to the terms within this Limited Warranty document.

This Limited Warranty applies only to products that are installed correctly in the United States and Canada. Improper installation may void this Limited Warranty. In order for this warranty to apply, it is required that the subject water heaters utilized in heating applications that have been properly installed by qualified professionals based upon the manufacturer's installation instructions. Using the licensed professional who has attended a VESTA installation training class before installing this water heater is strongly recommended. Proof of purchase is required to obtain warranty service. You may show proof of purchase with a dated sales receipt, or by registering within thirty (30) days of purchasing the product. This Limited Warranty coverage as set out in the table below extends to the original purchaser and subsequent owners, but only while the product remains at the site of the original installation. This Limited Warranty only extends to the first / original installation of the product and terminates if the product is moved or reinstalled at a new location.

UNLESS OTHERWISE NOTED THESE WARRANTIES COMMENCE ON THE DATE OF PURCHASE. If at the time of a request for service the owner cannot provide a copy of the original sales receipt or the warranty registration, the warranty period for the water heater shall then be deemed to have commenced thirty (30) days after the date of manufacture of the water heater and NOT the date of installation of the water heater.

This limited warranty is subject to all provisions, conditions, limitations and exclusions listed below of this document.

Item	Period of Coverage (from date of purchase)	
	Residential Applications	Commercial Applications
Heat Exchanger	12 years ① ②	5 years ① ②
All Other Parts and Components	5 years ①	5 years ①
Reasonable Labor	1 year	1 year

- ① Period of coverage is reduced to 3 years from date of purchase when used as a recirculating water heater within a hot water recirculation loop, where the water heater is in series with a recirculation system and all recirculating water flows through the water heater, and where an aquastat / thermostat, timer, or an on-demand recirculation system is not incorporated.
- ② The Limited Warranty for a heat exchanger used in a recirculation system which is controlled through an aquastat / thermostat, or timer, or an on-demand system is 12 years for residential applications and 5 years for commercial applications.
- ③ Residential Use means potable water heating in a single family residence.

LIMITATIONS OF WARRANTIES: ALL IMPLIED WARRANTIES AND/OR CONDITIONS (INCLUDING IMPLIED WARRANTIES OR CONDITIONS OF MERCHANTABILITY AND FITNESS FOR A PARTICULAR USE OR PURPOSE) ARE LIMITED TO THE DURATION OF THIS LIMITED WARRANTY. SOME STATES OR PROVINCES DO NOT ALLOW LIMITATIONS ON HOW LONG AN IMPLIED WARRANTY OR CONDITION LASTS, SO THE ABOVE MAY NOT APPLY TO YOU. THE EXPRESS WARRANTIES MADE IN THIS WARRANTY ARE EXCLUSIVE AND MAY NOT BE ALTERED, ENLARGED, OR CHANGED BY ANY DISTRIBUTOR, DEALER, OR OTHER PERSON, WHATSOEVER.

The following is Not covered.

- Service trips to your home to teach you how to use the product.
- Normal maintenance as outlined in the installation manual or Owner's Manual, including filter cleaning and/or replacement.
- Improper installation (such as but not limited to) • product being installed in a corrosive environment • condensate damage • improper venting • incorrect gas type • incorrect gas or water pressure • absence of a drain pan under the appliance
- Improper delivery or maintenance.
- Failure of the product if it is abused, misused, altered or used for other than the intended purpose.
- Use of this product where water is microbiologically unsafe or of unknown quality, without adequate disinfection before or after the system.
- Replacement of house fuses or resetting of circuit breakers.
- Damage to the product caused by accident, lightning fire, flood or acts of God.
- Incidental or consequential damage caused by possible defects with this appliance, its installation or repair.

- Product not accessible to provide required service in a safe manner. Attic installation must have flooring and accessible stairs.
- This Limited Warranty does not apply to any product whose serial number or manufacture date has been defaced.
- If product removed from original installation location.
- If product or other appliance must be moved for service access.
- Damages, malfunctions or failure caused by the use of repair service not approved by Company.
- Damages, malfunctions or failure caused by the use of unapproved parts or components.
- Damages, malfunctions or failure caused by subjecting the tank to pressure greater than those shown on the rating label.
- Damages, malfunctions or failure caused by operating the water heater with electrical voltage outside the voltage range listed on the rating label.
- Damages, malfunctions, or failure caused by operating the water heater with an empty or partially empty tank ("dry firing"), or failures caused by operating the water heater when it is not supplied with potable water.
- Failure of the heater due to the accumulation of solid materials and lime deposits.
- Water heater failure due to the water heater being operated in a corrosive or contaminated atmosphere.
- Any shipping charges, delivery expenses, or administrative fees incurred by the owner in repairing or replacing the water heater or part(s). This warranty does not extend to labor costs beyond the coverage specified in this warranty document. All such expenses are the owner's responsibility.
- ANY SPECIAL, INDIRECT OR CONSEQUENTIAL PROPERTY OR COMMERCIAL DAMAGE OF ANY NATURE WHATSOEVER.
- Some states or provinces do not allow the exclusion of incidental or consequential damages, so the above limitation may not apply to you. This Warranty gives you specific legal rights, and you may also have other rights which vary from state to state or province to province.

Warranty Claim & Return Procedures

To initiate a warranty claim, the homeowner or the end user may contact the original installer, Company, or a VESTA service specialist identified on Company's website. If the Installer is notified of the claim directly, Installer shall promptly inspect the Product and installation. If Installer determines in good faith that the warranty may apply, then Installer shall promptly call VESTA Tech Support at 1-800-761-0053 and provide details of the nature of the claim including the end-user's name, telephone number, address; model and serial numbers, and date of installation. Company reserves the right in its sole discretion to dispatch its own technician or other installer to complete the warranty repair.

No later than two (2) weeks following the completion of the repair, Installer shall transmit a fully completed Labor Claim Supplement form, provided by Company, as follows: By e-mail to warranty@vestahws.com.

Labor Claim is denied

Installer's claim of payment for labor and services rendered may be denied entirely or reduced in the event Installer fails to strictly comply with the requirements set forth in this Agreement and for other applicable reasons including the following:

- If the Installer's claim for payment exceeds the fee or rate specified by Company. Company shall only be obligated to pay the rate or fee previously specified by Company, and Installer shall not look to any other party, including the wholesaler or end-user, for such additional payments. The commencement of work by Installer shall constitute Installer's unequivocal and unconditional acceptance of the fee or rate designated by Company and Installer's acknowledgment and agreement to Company's designated fee or rate.
- If Installer fails to provide all required information including the end-user's name, address and telephone number, model and serial number, date of original installation; if such required information and/or documents are not submitted when requested.
- If the repair or replacement was not properly completed, if the end-user is dissatisfied with the repair, and/or a discrepancy is identified between the repair identified in the Claim Letter and the repair that was actually performed.
- If a follow up repair call involves the same problem which Installer had previously repaired within the preceding three (3) month period.
- If the Limited Warranty is void or not applicable for any reason.
- If Installer's request for payment for labor and services rendered is received by Company more than two (2) weeks after the repair or replacement service was completed.
- If it is determined by Company that the claim for payment of labor and services rendered was not for services directly necessary to replace or repair the defective Product such as for maintenance of the Product.
- If a component or product returned to Company is found to be free of defects in material or workmanship; damaged by improper installation, use or operation; or damaged during return shipping.

The replacement water heater will be warranted for the unexpired portion of the applicable warranty period of the original water heater. The number of replacement water heaters is limited to one (1) per original water heater purchased. Replacement parts will be warranted for 90 days.

Memo



Memo





SMART & COMFORT

Address

2711 LBJ Fwy Suite#320, Farmers branch, TX, 75234

For Technical Support

1-800-761-0053

www.vestahws.com

Ver. 1.0